



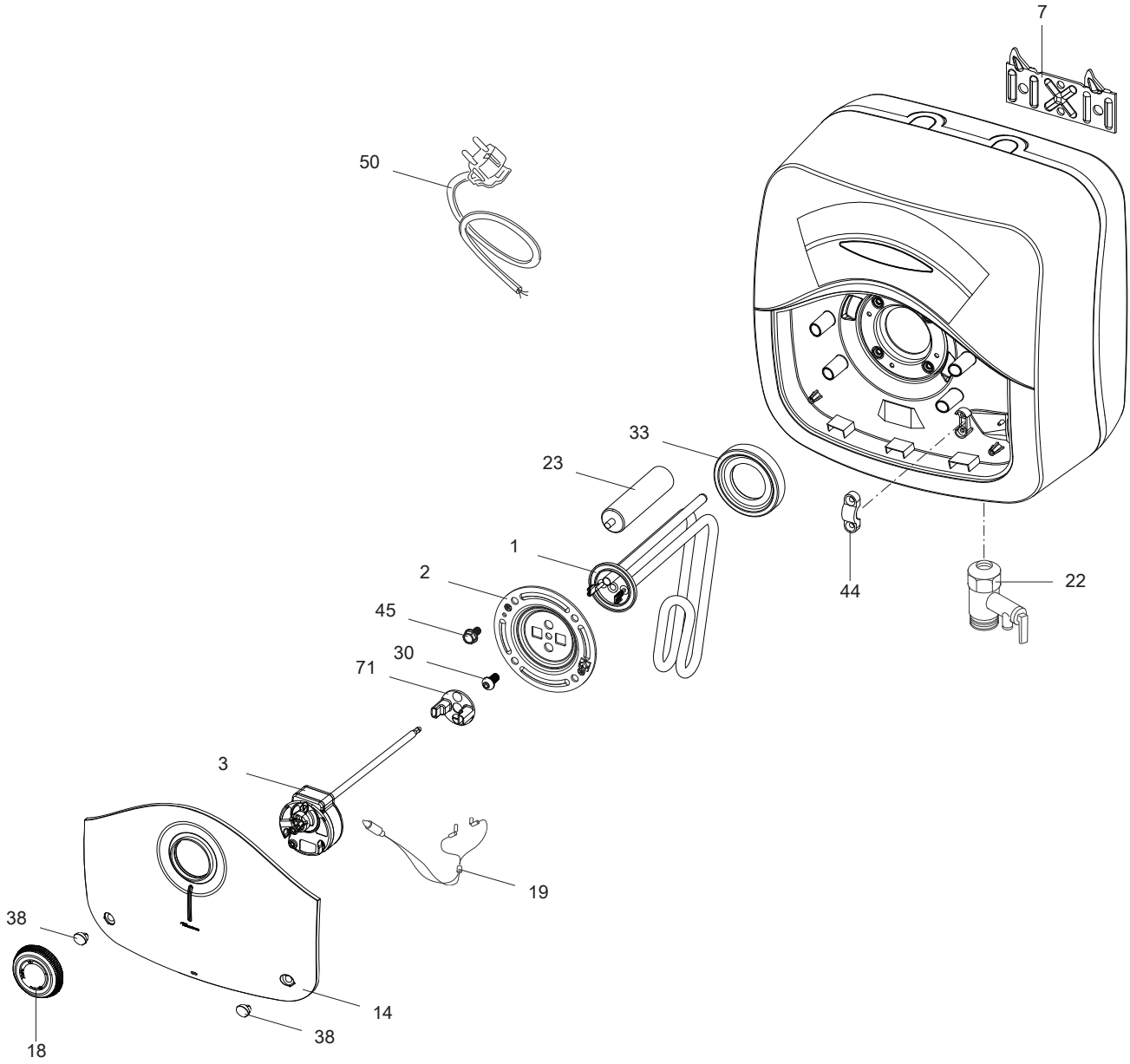
SPARE PARTS EXPLODED VIEW
STORAGE ELECTRIC WATER HEATERS
Model
ANDRIS R

R8218025-03 - 25/11/2025

ANDRIS R

Storage Electric Water Heaters

1	3100797	ANDRIS R 10	03-2018	-
2	3100798	ANDRIS R 10U	03-2018	-
3	3100799	ANDRIS R 15	03-2018	-
4	3100800	ANDRIS R 15U	03-2018	-
5	3100801	ANDRIS R 30	03-2018	-
Col	Reference	Model type	Begin	End



☉⇒	Description	Manf. Pt. N	Type																			From	to
				1	2	3	4	5	6	7	8	9	10	11	12	13	14	15	16	17	18		
0001	HEATING ELEMENT 1200W 220-240V	6501198200				•	•													11/25			
	HEATING ELEMENT 1200W 220-240V	6501201000		•	•															11/25			
	HEATING ELEMENT 1200W 220-240V	65114900					•	•													10/25		
	HEATING ELEMENT 1200W 220-240V	65114905		•	•																10/25		
	HEATING ELEMENT 1500W 220-240V	6501198600																	•	11/25			
	HEATING ELEMENT 1500W 220-240V	65114894																	•		10/25		
0002	FLANGE (4 HOLES)	65115359		•	•	•	•	•															
0003	THERMOSTAT	65114891																	•				
	THERMOSTAT	65114908		•																			
	THERMOSTAT	65115012			•																		
	THERMOSTAT	65115013					•																
	THERMOSTAT	65115014																	•				
0007	HEATER WALL HANGING BRACKET	570341		•	•	•	•	•															
0014	PLASTIC COVER (COMPLETE)	65115092		•	•	•	•	•															
	PLASTIC COVER (COMPLETE)	65115093																	•				
0018	KNOB (REGULATION)	65119786		•	•	•	•	•															
0019	SIGNAL LAMP	993025		•	•	•	•	•															
0022	SAFETY VALVE WITH LEVER (1/2" 8,5 BAR)	571730		•	•	•	•	•															
0023	ANODE D21,3 L:110 M5-M8	65103768-01		•	•	•	•	•													10/25		
	ANODE D21,3 L:110 M6	6501151200		•	•	•	•	•												11/25			
0030	SCREW M6X12	993000		•	•	•	•	•															
0033	FLANGE GASKET	65116115		•	•	•	•	•															
0038	SCREW COVER	65115090		•	•	•	•	•															
0044	CABLE CLAMP	573266		•	•	•	•	•															
0045	FLANGE SCREW M6X12	65114656		•	•	•	•	•															
0050	POWER CABLE	570096		•	•	•	•	•															
0071	TERMINAL SHIELD (GREEN)	65121494																	•				
	TERMINAL SHIELD (YELLOW)	65114901		•	•	•	•																

